

# Pool & Spa Thermometer

model 00617



## CONTENTS

Unpacking Instructions .....	2	Placement Guidelines .....	7
Package Contents .....	2	Using the Thermometer.....	8
Product Registration .....	2	Troubleshooting .....	9
Features & Benefits: Sensor.....	3	Care & Maintenance.....	10
Features & Benefits: Display....	4	Specifications.....	10
Setup .....	5	FCC Information .....	10
Sensor Setup .....	5	Customer Support .....	11
Display Setup .....	6	Warranty.....	11
Select Temperature Units .....	6		

**Questions?** Contact Customer Support at (877) 221-1252 or visit [www.AcuRite.com](http://www.AcuRite.com).

**SAVE THIS MANUAL FOR FUTURE REFERENCE.**

# ACURITE®

Congratulations on your new AcuRite product. To ensure the best possible product performance, please read this manual in its entirety and retain it for future reference.

## Unpacking Instructions

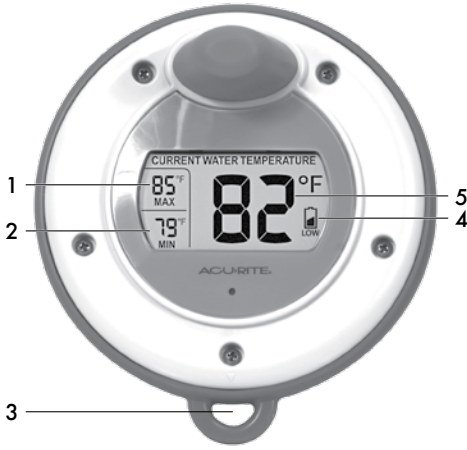
Remove the protective film that is applied to the LCD screen prior to using this product. Locate the tab and peel off to remove.

## Package Contents

1. Display unit with tabletop stand
2. Pool and spa temperature sensor
3. Instruction Manual

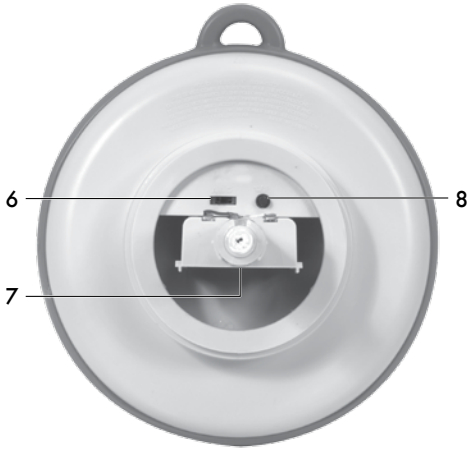
<b>IMPORTANT</b>	PRODUCT MUST BE REGISTERED TO RECEIVE WARRANTY SERVICE
<b>PRODUCT REGISTRATION</b> Register online to receive 1 year warranty protection <a href="http://www.AcuRite.com">www.AcuRite.com</a>	 <p><b>SUPPORT</b></p> <ul style="list-style-type: none"><li>Support Forum</li><li>Archived Products</li><li>▶ Register a Product</li></ul>

# Features & Benefits



## TEMPERATURE SENSOR

- 1. High Temperature Record**  
Highest temperature recorded over past 24 hours.
- 2. Low Temperature Record**  
Lowest temperature recorded over past 24 hours.
- 3. Integrated Anchor Loop**  
for easy placement.
- 4. Sensor Low Battery Indicator**
- 5. Current Temperature**

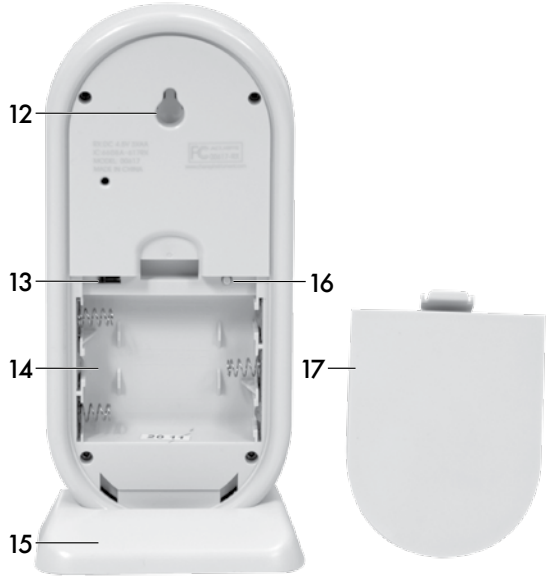
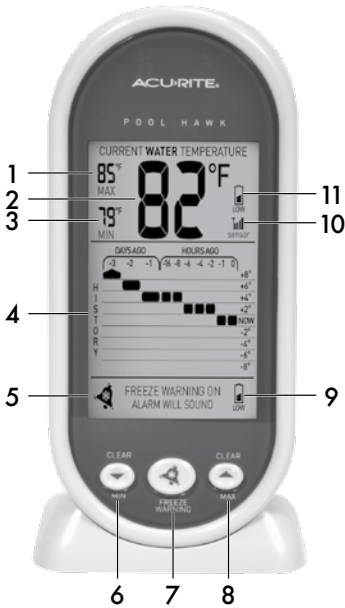


## BOTTOM OF SENSOR

- 6. A-B-C Switch**  
ID code that must match display's A-B-C switch to ensure units synchronize.
- 7. Battery Compartment**
- 8. °C/°F Button**  
Press to select °C or °F temperature units.
- 9. Battery Compartment Ring**  
for securing battery compartment to sensor.
- 10. Battery Compartment Housing**



# Features & Benefits



## DISPLAY UNIT

- 1. High Temperature Record**  
Highest water temperature recorded over past 24 hours.
- 2. Current Temperature**
- 3. Low Temperature Record**  
Lowest water temperature recorded over past 24 hours.
- 4. History Chart**  
Displays the past 72 hours of data for temperature.
- 5. "❄️" Icon**  
Displays when FREEZE WARNING is active.
- 6. "▼ CLEAR MIN" Button**  
Press and release to clear low temperature record (#3).
- 7. "❄️ FREEZE WARNING" Button**  
Press to activate freeze warning.
- 8. "▲ CLEAR MAX" Button**  
Press and release to clear high temperature record (#1).

- 9. Display Low Battery Indicator**
- 10. Sensor Signal Strength**
- 11. Sensor Low Battery Indicator**

## BACK

- 12. Integrated Hang Hole**  
For easy wall mounting.
- 13. A-B-C Switch**  
ID code that must match sensor's A-B-C switch to ensure units synchronize.
- 14. Battery Compartment**
- 15. Removable Tabletop Stand**
- 16. °C/°F Button**  
Press to select °C or °F temperature units.
- 17. Battery Compartment Cover**

## Sensor Setup

### 1 Access Battery Compartment

Remove the battery compartment housing from the sensor by unscrewing the battery compartment ring.

### 2 Set the A-B-C Switch

The A-B-C switch is located inside the battery compartment. It can be set to A, B or C. However, you must select the same letter choices for both the sensor and the display unit in order for the units to synchronize.

### 3 Install or Replace Batteries

Remove the battery compartment housing from the sensor by unscrewing the battery compartment ring.

AcuRite recommends high quality alkaline batteries for the best product performance. Heavy duty or rechargeable batteries are not recommended.

Slide off the battery compartment cover. Take note of the A-B-C switch setting inside the battery compartment.

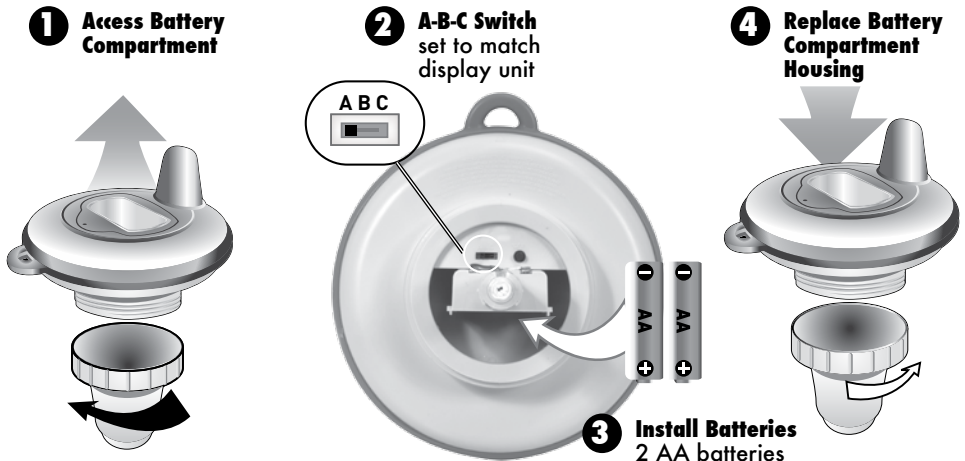
1. Insert 2 x AA batteries into the battery compartment, as shown. Follow the polarity (+/-) diagram in the battery compartment.

2. Replace the battery cover.

### 4 Replace Battery Compartment Housing

Replace battery compartment housing and secure to sensor by screwing on battery compartment ring.

**IMPORTANT:** Screw on the battery compartment ring gasket tightly, to ensure that water does not enter the sensor and damage its internal components.



# Display Unit Setup

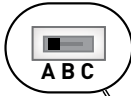
## 1 Set the A-B-C Switch

Locate the A-B-C switch inside the battery compartment. Set the A-B-C switch to A, B or C. You must select the same letter choices for both the display unit and the sensor in order for the units to synchronize.

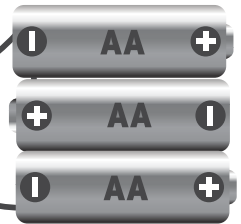
## 2 Install or Replace Batteries

1. Remove the battery compartment cover.
2. Insert 3 x AA alkaline batteries into the battery compartment, as shown. Follow the polarity (+/-) diagram in the battery compartment.
3. Replace the battery cover.

### 1 A-B-C Switch set to match sensor



### 2 Install Batteries 3 AA batteries



## Select Temperature Units

To select between degrees Celsius ( $^{\circ}\text{C}$ ) or Fahrenheit ( $^{\circ}\text{F}$ ) temperature units, slide the " $^{\circ}\text{C}/^{\circ}\text{F}$ " switch located inside the battery compartment located on the back of the display.



**PLEASE DISPOSE OF OLD OR DEFECTIVE BATTERIES IN AN ENVIRONMENTALLY SAFE WAY AND IN ACCORDANCE WITH YOUR LOCAL LAWS AND REGULATIONS.**

**BATTERY SAFETY:** Clean the battery contacts and also those of the device prior to battery installation. Remove batteries from equipment which is not to be used for an extended period of time. Follow the polarity (+/-) diagram in the battery compartment. Promptly remove dead batteries from the device. Dispose of used batteries properly. Only batteries of the same or equivalent type as recommended are to be used. DO NOT incinerate used batteries. DO NOT dispose of batteries in fire, as batteries may explode or leak. DO NOT mix old and new batteries or types of batteries (alkaline/standard). DO NOT use rechargeable batteries. DO NOT recharge non-rechargeable batteries. DO NOT short-circuit the supply terminals.

## Placement for Maximum Accuracy

AcuRite sensors are sensitive to surrounding environmental conditions. Proper placement of both the display unit and outdoor sensor are critical to the accuracy and performance of this product.



### Display Unit Placement

Place the display unit in a dry area free of dirt and dust. Display unit stands upright for tabletop use or is wall-mountable.

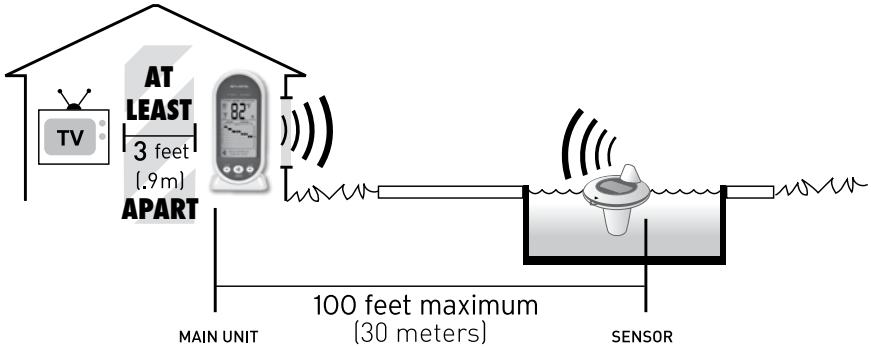


### Outdoor Sensor Placement

Sensor must be placed in water to observe water temperature. The sensor should be secured to a pool ladder or other structure to prevent it from drifting out of wireless range of the display unit. Secure the sensor using the integrated anchor loop and a length of waterproof cord or rope (not included).

### Important Placement Guidelines

- Display unit and outdoor sensor must be within 100 ft (30 m) of each other.
- To maximize wireless range, place units away from large metallic items, thick walls, metal surfaces, or other objects that may limit wireless communication.
- To prevent wireless interference, place both units at least 3 ft (.9 m) away from electronic devices (TV, computer, microwave, radio, etc.).



## Setup is Complete




The sensor will now synchronize with the display unit. It may take a few minutes for synchronization to complete. Please refer to the troubleshooting section of this manual if anything appears to be functioning improperly.

## Using the Thermometer

### Water Temperature History Chart

The water temperature history chart lets you monitor the change in conditions over the past 3 days (-3, -2, -1) and over the past 16 hours (-16, -8, -6, -4, -2, -1, 0).

### Set the Freeze Warning Alarm

Press the  FREEZE WARNING button to activate the freeze alarm. " FREEZE WARNING ON ALARM WILL SOUND" will appear on the display. Deactivate the freeze alarm by pressing the  FREEZE WARNING button again.

### Freeze Warning Alarm Function

The freeze warning alarm will sound and the display will flash when the temperature drops below 40°F (4°C). The alarm will sound for up to 1 minute. When the alarm is sounding, press any button to silence the alarm. If no buttons are pressed, the alarm will automatically stop after 1 minute and the display will continue to flash for up to 10 hours.

### High/Low Records


High and low values are recorded for water temperature. High and low records reflect the minimum and maximum temperature record in the last 24 hours, starting at the time the batteries are installed.

To clear the LOW temperature record, press and release the "▼ CLEAR MIN" button. Dashes will display to confirm low record has been cleared.

To clear the HIGH temperature record, press and release the "▲ CLEAR MAX" button. Dashes will display to confirm high record has been cleared.



# Troubleshooting

<p><b>No outdoor sensor reception</b></p> 	<p>If the wireless signal indicator shows no bars:</p> <ul style="list-style-type: none"><li>• Relocate the display unit and/or the outdoor sensor. The units must be within 100 ft (30 m) of each other.</li><li>• Make sure both units are placed at least 3 feet (.9 m) away from electronics that may interfere with the wireless communication (such as TVs, microwaves, computers, etc).</li><li>• Use standard alkaline batteries. Do not use heavy duty or rechargeable batteries. NOTE: It may take up to 20 minutes for display unit and sensor to synchronize after batteries are replaced.</li></ul>
<p><b>Display screen not working</b></p>	<ul style="list-style-type: none"><li>• Check that the batteries are installed correctly. Batteries may need to be replaced.</li></ul>
<p><b>Temperature is flashing or showing dashes</b></p>	<p>Flashing of the temperature is generally an indication of wireless interference.</p> <ol style="list-style-type: none"><li>1. Bring both the sensor and display unit indoors and remove at least one battery from each.</li><li>2. Make sure the A-B-C switch on both units match.</li><li>3. Reinstall the battery in the outdoor sensor.</li><li>4. Reinstall the battery in the display unit.</li><li>5. Let the units sit within a couple feet of each other for about 20 minutes to gain a strong connection.</li></ol>

**If your AcuRite product does not operate properly after trying the troubleshooting steps, visit [www.AcuRite.com](http://www.AcuRite.com) or call (877) 221-1252 for assistance.**

# Care & Maintenance

## Display Unit Care

Clean with a soft, damp cloth. Do not use caustic cleaners or abrasives. Keep away from dust, dirt and moisture.

## Outdoor Sensor Care

Clean with a soft damp cloth. Do not use caustic cleaners or abrasives.

# Specifications

<b>TEMPERATURE RANGE</b>	32°F to 158°F; 0°C to 70°C
<b>WIRELESS RANGE</b>	100 ft / 30 m depending on home construction materials
<b>OPERATING FREQUENCY</b>	433 MHz
<b>POWER</b>	Display: 3 x AA alkaline batteries
	Sensor: 2 x AA alkaline batteries
<b>DATA REPORTING</b>	60 second updates

# FCC Information

This device complies with part 15 of FCC rules. Operation is subject to the following two conditions:

- 1- This device may NOT cause harmful interference, and
- 2- This device must accept any interference received, including interference that may cause undesired operation.

**WARNING:** Changes or modifications to this unit not expressly approved by the party responsible for compliance could void the user's authority to operate the equipment.

**NOTE:** This equipment has been tested and found to comply with the limits for a Class B digital device, pursuant to Part 15 of the FCC rules. These limits are designed to provide reasonable protection against harmful interference in a residential installation. This equipment generates, uses and can radiate radio frequency energy and, if not installed and used in accordance with the instructions, may cause harmful interference to radio communications. However, there is no guarantee that interference will not occur in a particular installation. If this equipment does cause harmful interference to radio or television reception, which can be determined by turning the equipment off and on, the user is encouraged to try to correct the interference by one or more of the following measures:

- Reorient or relocate the receiving antenna.
- Increase the separation between the equipment and the receiver.
- Connect the equipment into an outlet on a circuit different from that to which the receiver is connected.
- Consult the dealer or an experienced radio/TV technician for help.

**NOTE:** The manufacturer is not responsible for any radio or TV interference caused by unauthorized modifications to this equipment. Such modifications could void the user authority to operate the equipment.

## Customer Support

AcuRite customer support is committed to providing you with best-in-class service. **For assistance**, please have the model number of this product available and contact us in any of the following ways:



(877) 221-1252



info@chaney-inst.com

24/7 support at [www.AcuRite.com](http://www.AcuRite.com)

- ▶ Installation Videos
- ▶ Register your Product
- ▶ Instruction Manuals
- ▶ Support User Forum
- ▶ Replacement Parts
- ▶ Submit Feedback & Ideas

## IMPORTANT

PRODUCT MUST BE REGISTERED  
TO RECEIVE WARRANTY SERVICE

### PRODUCT REGISTRATION

Register online  
to receive 1 year  
warranty protection

[www.AcuRite.com](http://www.AcuRite.com)

SHOP NOW

SUPPORT

Support Forum

Archived Products

▶ Register a Product

## Limited One Year Warranty

At AcuRite, we proudly uphold our commitment to quality technology. Chaney Instrument Co. warrants that all products it manufactures to be of good material and workmanship, and to be free of defects when properly installed and operated for a period of one year from the date of purchase.

We recommend that you visit us at [www.AcuRite.com](http://www.AcuRite.com) for the fastest way to register your product. However, product registration does not eliminate the need to retain your original proof of purchase in order to obtain warranty benefits.

Chaney Instrument Co. warrants that all products it manufactures to be of good material and workmanship, and to be free of defects when properly installed and operated for a period of one year from the date of purchase. Remedy for breach of this warranty is limited to repair or replacement of the defective item(s). Any product which, under normal use and service, is proven to breach the warranty contained herein within ONE YEAR from date of sale will, upon examination by Chaney, and at its sole option, be repaired or replaced by Chaney. Transportation costs and charges for returned goods shall be paid for by the purchaser. Chaney hereby disclaims all responsibility for such transportation costs and charges. This

warranty will not be breached, and Chaney will give no credit for products it manufactures which have received normal wear and tear, been damaged (including by acts of nature), tampered, abused, improperly installed, damaged in shipping, or repaired or altered by others than authorized representatives of Chaney.

The above-described warranty is expressly in lieu of all other warranties, express or implied, and all other warranties are hereby expressly disclaimed, including without limitation the implied warranty of merchantability and the implied warranty of fitness for a particular purpose. Chaney expressly disclaims all liability for special, consequential or incidental damages, whether arising in tort or by contract from any breach of this warranty. Some states do not allow the exclusion or limitation of incidental or consequential damages, so the above limitation or exclusion may not apply to you. Chaney further disclaims all liability from personal injury relating to its products to the extent permitted by law. By acceptance of any of Chaney's products, the purchaser assumes all liability for the consequences arising from their use or misuse. No person, firm or corporation is authorized to assume for Chaney any other liability in connection with the sale of its products. Furthermore, no person, firm or corporation is authorized to modify or waive the terms of this paragraph, and the preceding paragraph, unless done in writing and signed by a duly authorized agent of Chaney. This warranty gives you specific legal rights, and you may also have other rights which vary from state to state.

For in-warranty claims: Chaney Instrument Co.  
965 Wells St., Lake Geneva, WI 53147

# ACU>RITE®



Weather  
Stations



Temperature  
& Humidity



Weather  
Alert Radio



Kitchen  
Thermometers  
& Timers



Clocks

It's more than accurate, it's **ACU>RITE**.

AcuRite offers an extensive assortment of precision instruments, designed to provide you with information you can depend on to Plan your day with confidence™.

[www.AcuRite.com](http://www.AcuRite.com)

©Chaney Instrument Co. All rights reserved. AcuRite is a registered trademark of the Chaney Instrument Co., Lake Geneva, WI 53147. All other trademarks and copyrights are the property of their respective owners. AcuRite uses patented technology. Visit [www.AcuRite.com/patents](http://www.AcuRite.com/patents) for details.